










## Trailer mounted lift TM15TJ

# Trailer mounted lift TM15TJ

## STANDARD EQUIPMENT

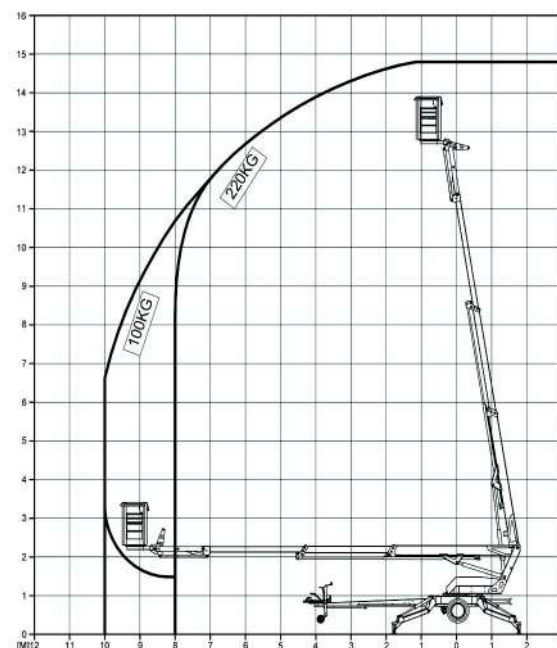
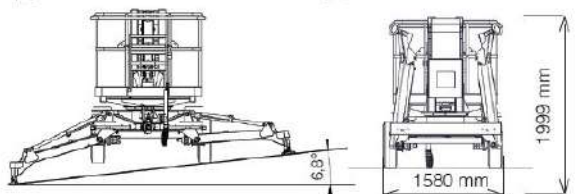
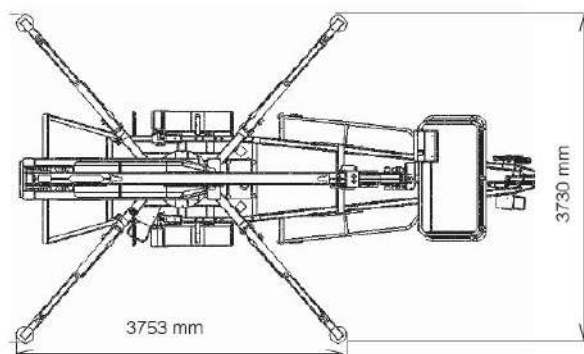
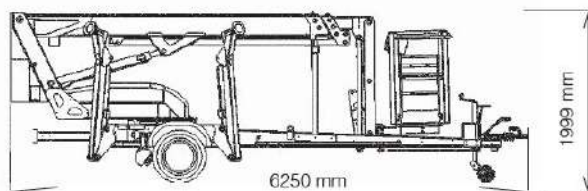
- 230V & Honda power source
- Articulated superstructure with multi telescopic upper boom
- Flyjib 1,3 m
- Hydraulic platform leveling with auto correction at 3°
- Chassis level sensor 1° with acoustic alarm
- Alu basket with wide tool tray, safety handrail and dual harness points
- Proportional electro-hydraulic controls by fingertip joysticks
- Ground pressure sensors on all outrigger plates with audible and visible alarms
- 230V outlet in the basket
- Wheel assist
- Hourmeter
- Ground and upper controls with tarp cover
- EC type road approval
- Manual recovery with hand pump
- Automatic reverse and overrun brakes
- Colour of the machine: RAL3002 (red)

## SPECIFICATIONS

	Working Height	14,8 m
	Platform Height	12,8 m
	Horizontal Reach (220 Kg)	8 m
	Horizontal Reach (100 Kg)	10 m
	Max. Platform capacity	220 kg
	Slewing	365°
	Platform dimensions	1,4x0,7x1,1 m
	Platform rotator	2x45°
	Transport length	6,25 m
	Transport width	1,6 m
	Transport height	1,99 m
	Total Weight 230 V & Honda, wheel assist, rotator	ca. 1800 kg
	Total Weight 24 VDC wheel assist, rotator	ca. 1860 kg
	Outrigger footprint Outrigger plate outer edge	ca. 3,72 m
	Gradeability	6,8° (12%)
	Max. towing speed	80 km/h
	Brake	Overrun Brakes with Gas Spring
	Wheels	215 R 14 C

## OPTIONS

- Custom colour
- Auto chassis level
- Battery power 24V 225 Ah
- G.R.P. basket with tool tray (2 person)
- Outrigger plate pads



[www.instant.no](http://www.instant.no)

**INSTANT**

**Norway**

Tel.: +47 23 19 11 00  
info@instant.no

**Lithuania**

Tel.: +370 5 233 1096  
info@instant.lt

**Latvia**

Tel.: +371 263 58 152  
info@instantlatvija.lv

**Estonia**

Tel.: +372 680 76 33  
info@instanteesti.ee