

INSTANT UPRIGHT

500W Instruction Manual



DESIGNATION
500W Double Width
EN 1004 – 3 – 8/12 – XXXD
500W Single Width
EN 1004 – 3 – 8/8 – XXXD

CEN designation of this instruction manual

EN 1298 - IM - en

Rev-01



SAFE WORKING LOADS AND WORKING HEIGHTS

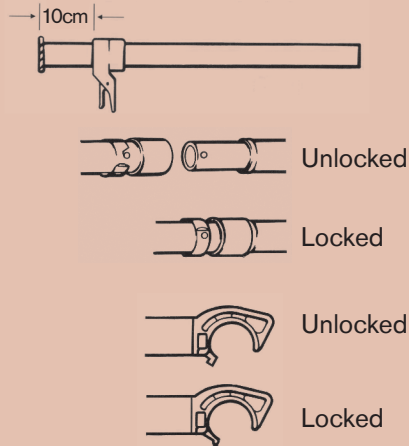
The safe working load at each level of platform is 275kg evenly distributed, regardless of whether one or two platforms are installed. Therefore, even if two platforms are installed side by side, total cumulative load shall not exceed 275kg distributed.

The total loading on the tower structure should not exceed 720kg. Normal maximum platform height for indoor use is 12m for Double Width, and 8m for Single Width. For outdoor use, the maximum height is 8m for Single and Double Widths.

ASSEMBLY PROCESS

1. Preparation

- Locate the tower level adjusters on each leg at 10cm (4 inches) from the bottom of the leg.
- Unlock the interlock clips on all frames.
- When installed, always move the interlock clip to the "locked" position.
- Sort the braces into horizontal and diagonal braces - the diagonals are slightly longer.
- Unlock the brace locks.



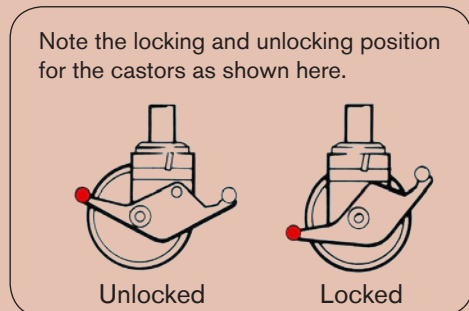
2. Base

Step 1: Install castor into adjustable leg.

Step 2: Ensure interlock clips are released from the base frames (bottom frames).

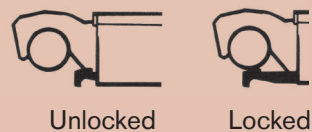
Step 3: Install castor / leg assembly to frame by pushing the leg into the frame tube. This should be done with manual force only, no tools.

Step 4: Lock castors before ascending any part of the tower.



3. Locking down the platform (Windlock)

A windlock clip is installed on the platform at the hook. This is locked as shown here.



USAGE ADVICE

- We recommend a minimum of two people to assemble, dismantle and move the platform tower.
- Check that all components are on site and in good working order.
- Ensure that the assembly location is checked to prevent hazards during assembly, dismantling or moving and while working on the tower. Particular attention should be given to the ground condition, whether level or sloping, obstructions and wind conditions. The ground condition must be capable of supporting the tower structure.
- Towers must always be climbed from the inside of the assembly using the ladder.
- Adjustable legs must only be used to level the tower.
- If the adjustable legs are to be extended by more than 150 mm; a risk assessment needs first to be undertaken by a competent person.
- Lifting of components must be done inside the effective base area of the tower; components are normally hoisted using a rope.
- Moving the tower must only be done by manual effect from the base of the tower.
- When moving tower be aware of overhead hazards (e.g. electric cables).
- No personnel or material to be on the platform whilst the tower is being moved.
- Beware of horizontal loads which can lead to instability of the tower. The maximum side force is 20kg.
- When tying-in the tower, attach a tie to each upright at 4m height intervals. Ensure that couplers are suitable for 50mm diameter aluminum tube.
- Do not use boxes or steps to gain additional height. If extra height required, contact your distributor to get extra components.
- Do not lift or suspend an assembled mobile tower.
- Damaged components or components from other tower systems must never be used.
- Stabilisers should always be fitted when specified. Use the stabiliser shown on the component list according to the tower height.
- When wind exceeds Beaufort force 4, cease using the tower.
- If wind is expected to reach Beaufort force 6, tie tower to a rigid structure.
- If winds of Force 8 are forecast, dismantle the tower or remove to shelter.

Wind speeds

Force	Peak mph	Peak km/h	Peak m/s	Guidance
4	18	29	8.1	Moderate breeze - raises dust & loose paper
6	31	50	13.9	Strong breeze - difficult to use umbrella
8	48	74	20.8	Gale force - walking is difficult

CARE AND MAINTENANCE

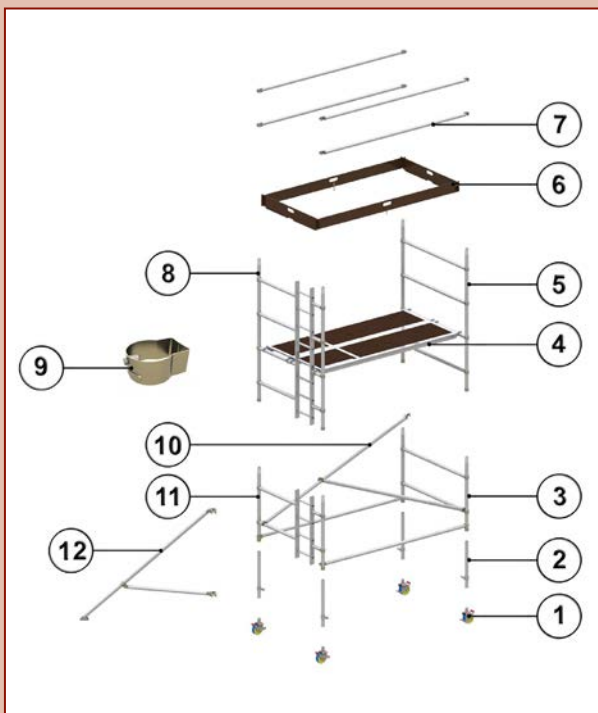
- Keep all equipment clean, especially spigots and sockets where frames join. Spigots should fit easily into sockets. Lubricate with light oil.
- Remove dirt or paint from adjustable legs with a light brush, lightly oil the leg locks.
- Do not strike or hammer components. Do not throw or drop onto hard surfaces.
- Lightly oil spring mechanism of the hooks.
- For transport and storage, components are best stored vertically.
- Damaged parts must be repaired or replaced; refer to the Instant Upright website for further advice or contact your equipment supplier for advice.

MOVING TOWERS

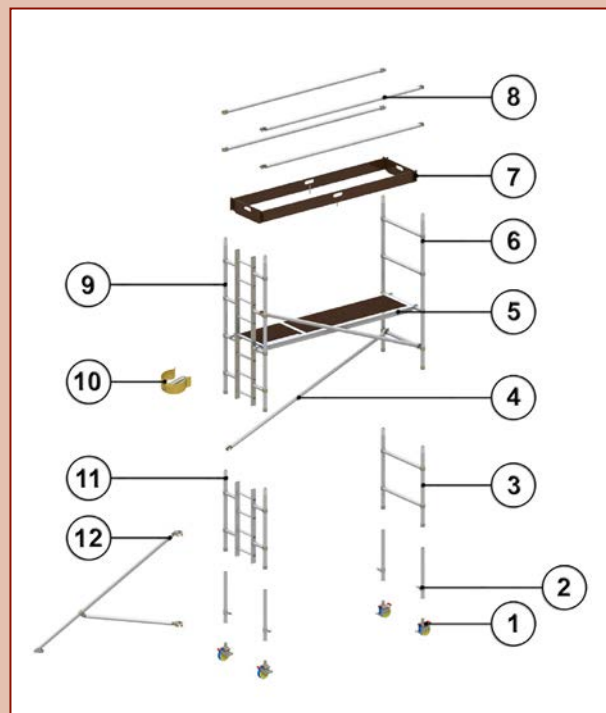
To Move the tower to a new position, first prepare the tower.

- Check that the wind speed does not exceed 29km/h (8.1m/s).
- Ensure the tower is empty (material and personnel).
- Check for overhead obstructions including electrical cables.
- Raise the stabiliser feet (only enough to clear obstructions).
- Taking care to ensure tower stability is maintained, insert any extended adjustable legs completely into the frame.
- Release the castor brakes.
- Carefully move the tower by manually applying force at the base. Do not use mechanical means to move the tower.
- Once positioned prepare the tower for use.
- Check and adjust as necessary to ensure all castors and stabilisers are in firm contact with the ground.
- Check that the tower is vertical using a spirit level.
- Reapply the castor brakes.

EXPLODED VIEW



Span 500 - double width



Span 500 - single width

01. Castor	06. 4 Rung Frame	11. 2 Rung Ladder Frame
02. Adjustable Leg	07. Toe-board set	12. Stabiliser
03. 2 Rung Frame	08. Horizontal Brace	
04. Diagonal Brace	09. 4 Rung Ladder Frame	
05. Platform	10. Clip	

STABILISERS

Stabilisers are to be used, when specified, to guarantee the structural stability of the tower.

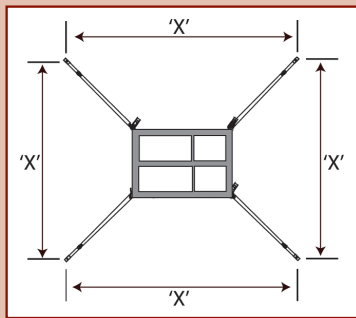
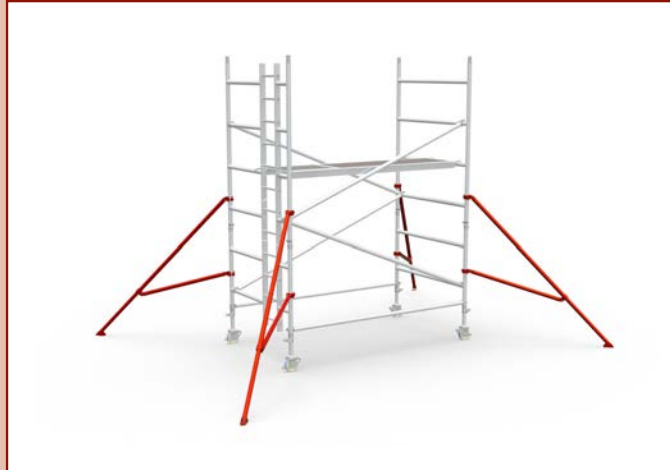


Fig 2



Fig 3

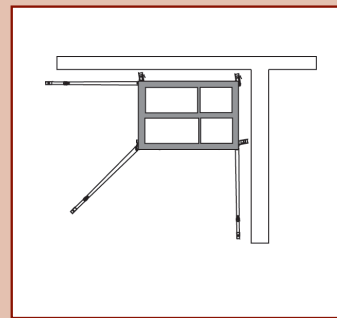


Fig 4

Single width tower

Platform ht < 7.2m

Telescopic stabiliser:

(Length 2m)

x = 3848mm

(Length 2.5 m)

x = 4059mm

(Length 3m)

x = 4222mm

Platform ht > 7.2m

Large stabiliser:

x = 4473mm

x = 4701mm

x = 4889mm

Double width tower

Platform ht < 10.2m

Telescopic stabiliser:

(Length 2m)

x = 4171mm

(Length 2.5 m)

x = 4417mm

(Length 3m)

x = 4617mm

Platform ht > 10.2m

Large stabiliser:

x = 4787mm

x = 5043mm

x = 5258mm

ALWAYS ENSURE STABILISER SIZE IS CORRECT AND ABLE TO SUPPORT TOWER

Lightly tighten the upper clamps above the third rung on each corner post. Position the lower clamp above the bottom rung. Ensure the lower arm is as horizontal as possible. Position the stabilisers so that the footpads are approximately equidistant from each other, as shown in Fig.2. Adjust the outrigger and reposition the clamps as required to make firm contact with the ground. Ensure the clips with locking pin are in place. When in the correct position, tighten the clamps firmly.

To position the tower against a wall, do not remove the stabiliser; move parallel with the wall. (Fig.3)

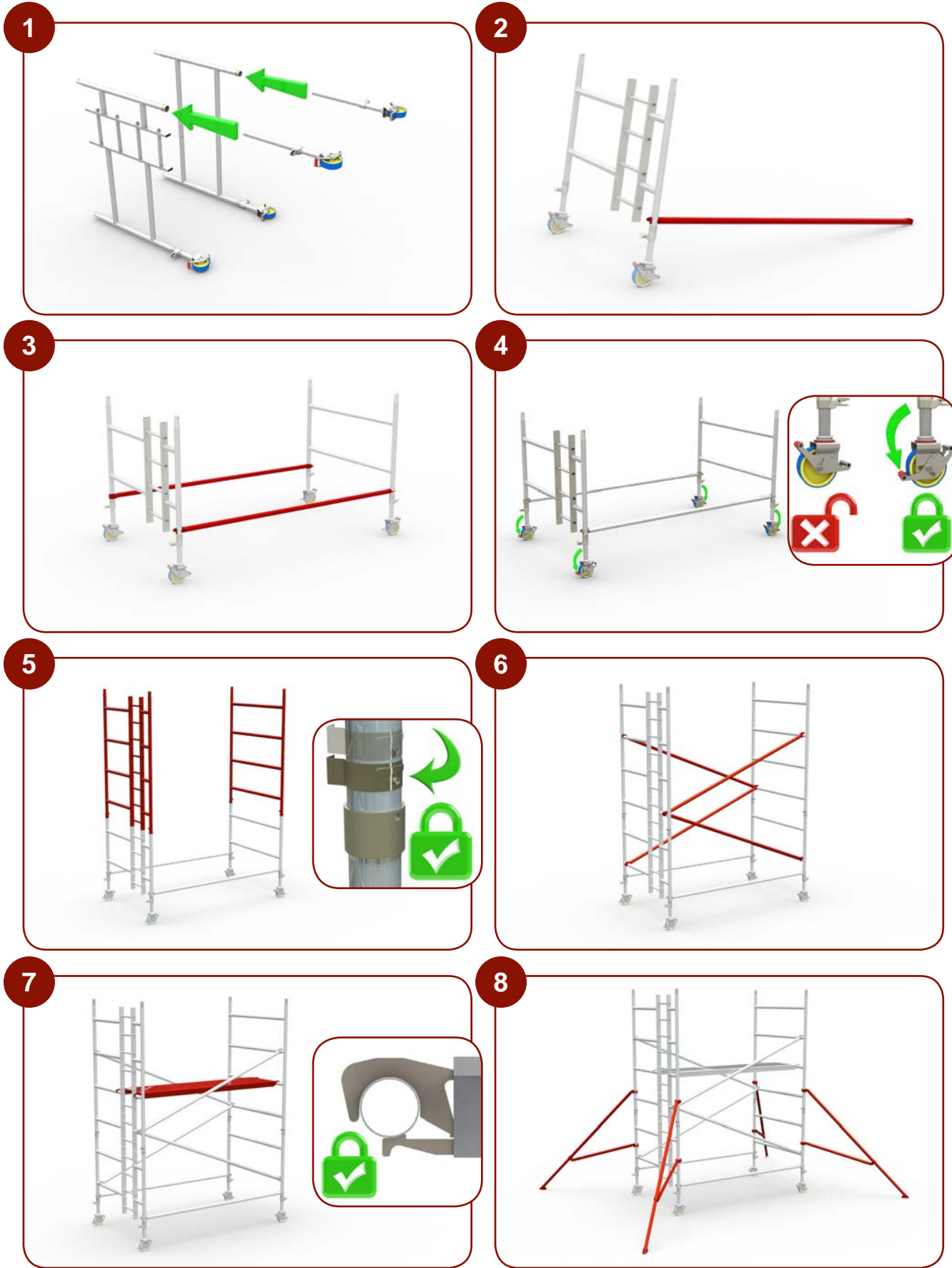
To position the tower in a corner, remove the inside stabiliser and place the outside two parallel with the wall. (Fig.4)

SPECIFIC PRODUCT INFORMATION

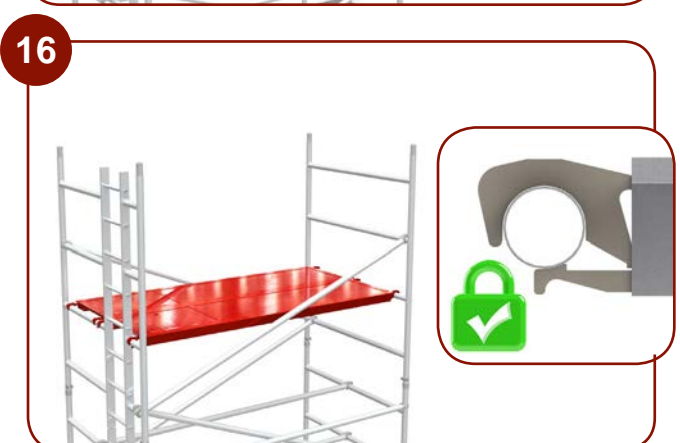
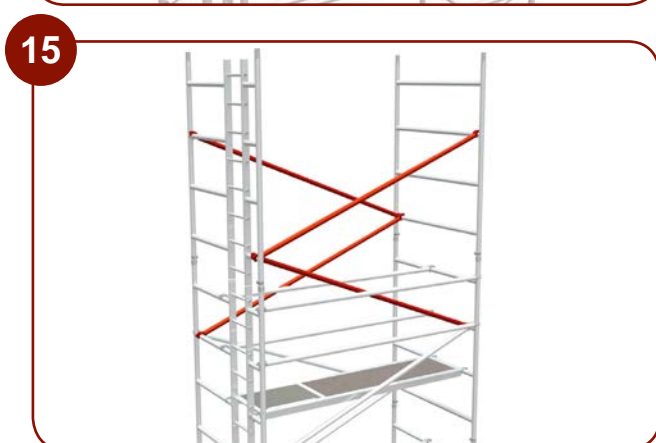
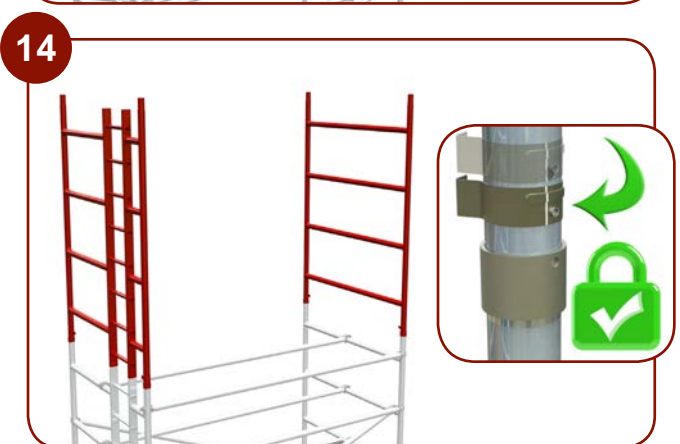
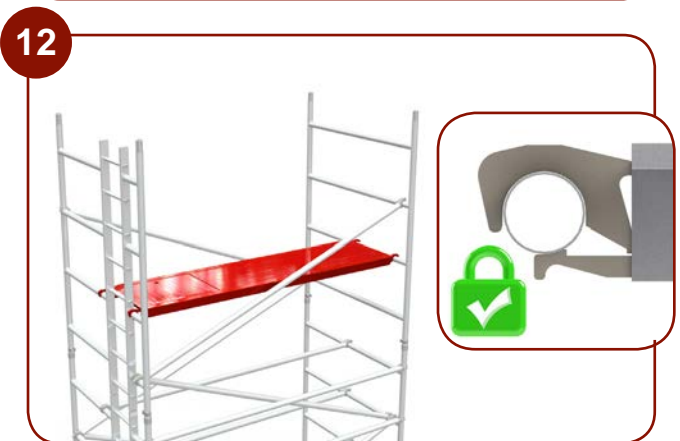
Table of parts and quantities

500W Double Width Towers - 2m, 2.5m and 3m lengths to EN1004														
Platform Height (m)	2m	3m	4m	5m	6m	7m	8m	9m	10m	11m	12m			
Work Height (m)	4	5	6	7	8	9	10	11	12	13	14			
Tower Height (m)	3	4	5	6	7	8	9	10	11	12	13			
Tower Weight in kg (2m in length)	117	147	166	182	215	231	270	287	319	336	358			
Tower Weight in kg (2.5m in length)	130	166	186	203	242	259	304	321	360	377	415			
Tower Weight in kg (3m in length)	142	180	202	220	263	281	330	348	390	408	451			
Note: Quoted platform heights included 150mm (6 inches) leg adjustment for leveling that can be increased or reduced														
Description	Weight (kg)													
4 Rung Frame	8.8			1	2	2	3	3	4	4	5	5	6	6
4 Rung Ladder Frame	12.1			1	2	2	3	3	4	4	5	5	6	6
2 Rung Frame	8.8			1		1		1		1		1		1
2 Rung Ladder Frame	9.3			1		1		1		1		1		1
Trapdoor Platform	14	18	20	1	2	2	2	3	3	4	4	5	5	6
Fixed Platform	14	17	20	1	1	1	1	1	1	1	1	1	1	1
Horizontal Brace	1.7	2	2.4	6	6	10	10	14	14	18	18	22	22	26
Diagonal Brace	1.8	2.2	2.5	4	6	8	10	12	14	16	18	20	22	24
Telescopic Stabiliser (50430)	5.2			4	4	4	4	4	4					
Large Stabiliser (9090)	6.8									4	4	4	4	4
Adjustable Leg	1.1			4	4	4	4	4	4	4	4	4	4	4
Castor / Baseplate	2.2			4	4	4	4	4	4	4	4	4	4	4
Toe-board set	8.7	11.5	14.4	1	1	1	1	1	1	1	1	1	1	1

DOUBLE WIDTH TOWER - 6m

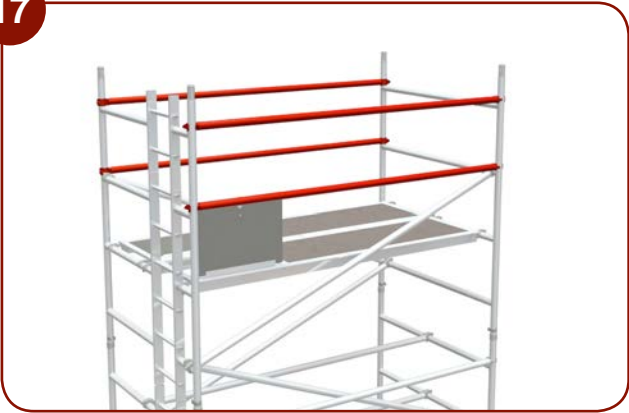


DOUBLE WIDTH TOWER - 6m



DOUBLE WIDTH TOWER - 6m

17



18



19

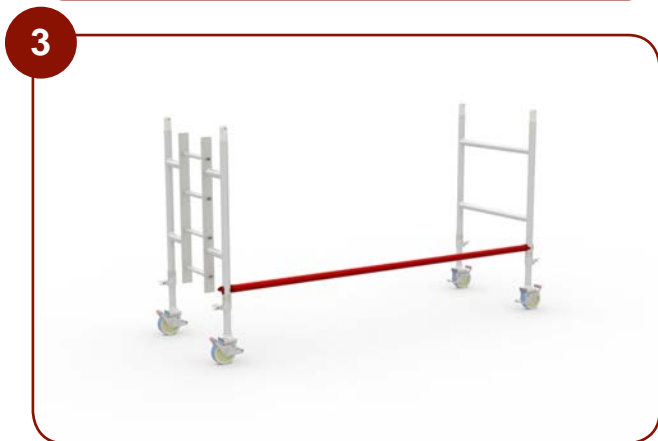
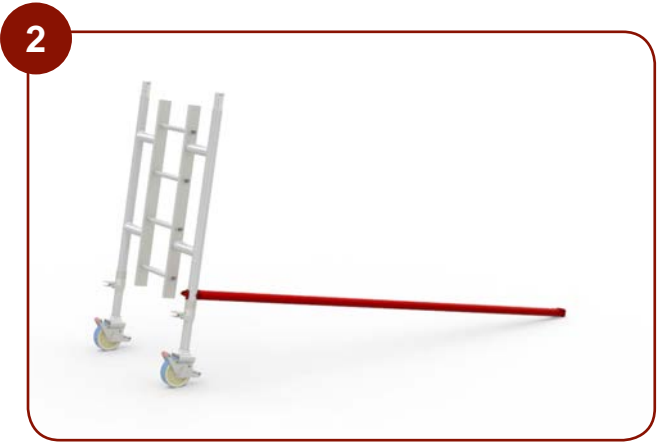
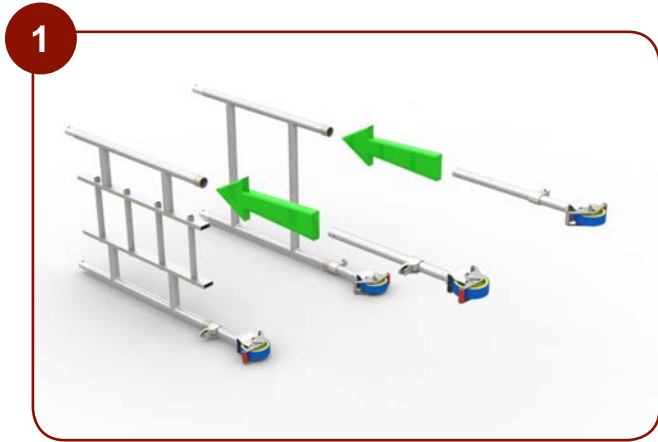


SPECIFIC PRODUCT INFORMATION

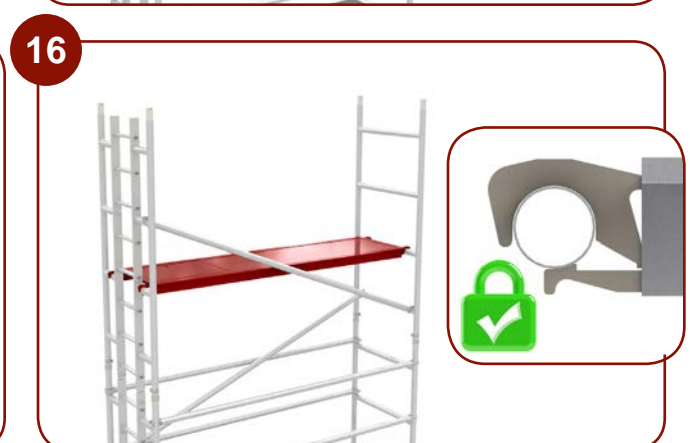
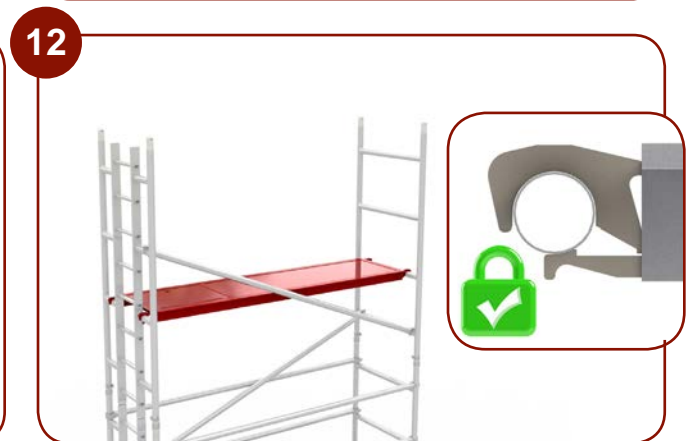
Table of parts and quantities

500W Single Width Towers - 2m, 2.5m and 3m lengths to EN1004										
Platform Height (m)			2m	3m	4m	5m	6m	7m	8m	
Work Height (m)			4	5	6	7	8	9	10	
Tower Height (m)			3	4	5	6	7	8	9	
Tower Weight in kg (2m in length)			93	120	135	149	178	191	226	
Tower Weight in kg (2.5m in length)			102	134	151	164	199	213	254	
Tower Weight in kg (3m in length)			110	144	162	176	215	229	274	
Note: Quoted platform heights included 150mm (6 inches) leg adjustment for leveling that can be increased or reduced										
Description	Weight (kg)									
4 Rung Frame	7.2			1	2	2	3	3	4	4
4 Rung Ladder Frame	10.5			1	2	2	3	3	4	4
2 Rung Frame	2.1			1		1		1		1
2 Rung Ladder Frame	3.8			1		1		1		1
Trapdoor Platform	14	18	20	1	2	2	2	3	3	4
Horizontal Brace	1.7	2	2.4	5	5	9	9	13	13	17
Diagonal Brace	1.8	2.2	2.5	2	3	4	5	6	7	8
Telescopic Stabiliser (50430)	5.2			4	4	4	4	4	4	
Large Stabiliser (9090)	6.8									4
Adjustable Leg	1.1			4	4	4	4	4	4	4
Castor / Baseplate	2.2			4	4	4	4	4	4	4
Toe-board set	8.7	11.5	14.4	1	1	1	1	1	1	1

SINGLE WIDTH TOWER - 6m



SINGLE WIDTH TOWER - 6m



SINGLE WIDTH TOWER - 6m

17



18



19

